



HSH051E

Hot holding cabinet

CONSTRUCTION FEATURES

- Tightness chamber with radiused corners
- Total thermic insulation with rock or glass wool
- Long lasting door seals made up of food grade of high heat resistance
- Static heating provided by low consumption wire heating element that coils up all the chamber
- Handles to carry by hand
- Ergonomic and fully built-in door handle with magnetic closure

FUNCTIONAL FEATURES

- Electronic control of the temperature
- Operating temperature 30°C ÷ 120°C
- Two adjustable humidity vents : on the door and rear wall
- Designed for stacking
- Reversible door
- Suction feet
- Chamber with safety thermostat

STANDARD SUPPLY

- Removable GN1/1 tray racks


MODULINESRL


Via dell'Industria 11, Z.I. San Giacomo di Veglia 31029 Vittorio Veneto (TV) - ITALY
 tel. +39 0438 5063 - fax +39 0438 912 323 - info@moduline.it - www.moduline.it

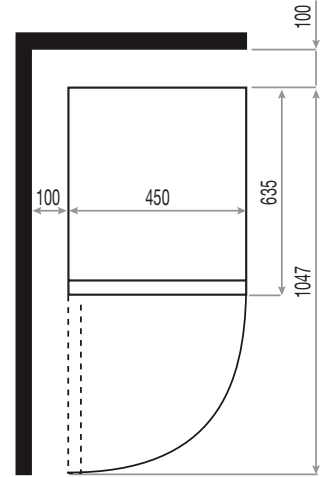
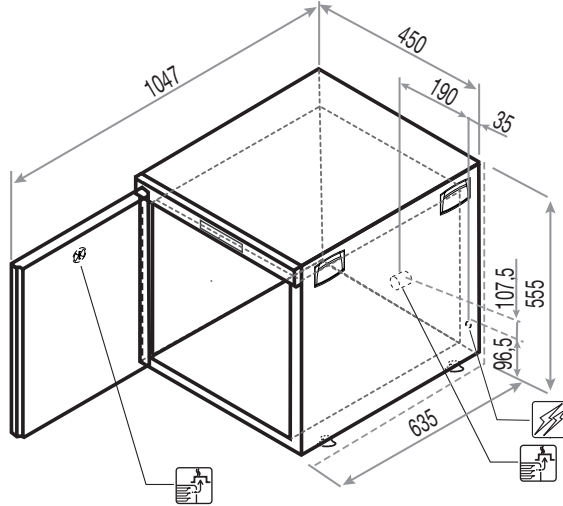


moduline

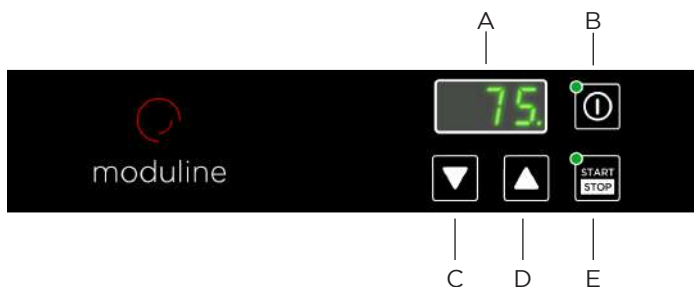
**TECHNICAL
INSTALLATION
DIAGRAM**

Electricity supply
cable inlet 

Adjustable vent
for release of
excess humidity 



Overall dimensions (W x D x H) - mm	450 x 635 x 555h	Working temperature [°C]	30±120
Trays capacity	5 GN 1/1	Containers capacity distance [mm]	5 GN 1/1 (70)
Power kW	1	Containers max height [mm]	5 x 65 (h) 2 x 150 (h) 1 x 200 (h) + 1 x 150 (h)
Power supply	AC 230V 50 Hz	Product max capacity [kg]	15
Rated voltage [Vac]	230	Net weight	27
Total input [Kw]	1		
Amps. [A]	4,4		
Connecting wire min. section (type H07 RN-F) [mm²]	3 x 1		



- A Display
- B ON/OFF switch
- C Temperature decrease key
- D Temperature increase key
- E START/STOP key

MODULINESRL

Via dell'Industria 11, Z.I. San Giacomo di Veglia 31029 Vittorio Veneto (TV) - ITALY
tel. +39 0438 5063 - fax +39 0438 912 323 - info@moduline.it - www.moduline.it