

## Flat Top Work Bench

### FEATURES

- Flat top work bench available in 600 or 700 deep
- 1.2mm thick stainless steel top
- 3mm zinalume coated steel reinforced backing to work top
- 41mm diameter round stainless steel tube legs, 1.2mm thick
- Adjustable stainless steel feet fitted as standard
- 1.2mm thick stainless steel under-shelf with top hat stiffening
- 2100 & 2400mm length units supplied with 6 legs
- Supplied flat packed ready for assembly

Model	Dimensions (mm)	Net weight (kg)	Packaging Dimensions (mm)
WTS606	W600 x D600 x H900	14.7	W920 x D620 x H80
WTS609	W900 x D600 x H900	16.4	W920 x D620 x H80
WTS612	W1200 x D600 x H900	22.3	W1220 x D620 x H80
WTS615	W1500 x D600 x H900	26.7	W1520 x D620 x H80
WTS618	W1800 x D600 x H900	32.5	W1820 x D620 x H80
WTS621	W2100 x D600 x H900	38.2	W2120 x D620 x H80
WTS624	W2400 x D600 x H900	43	W2420 x D620 x H80



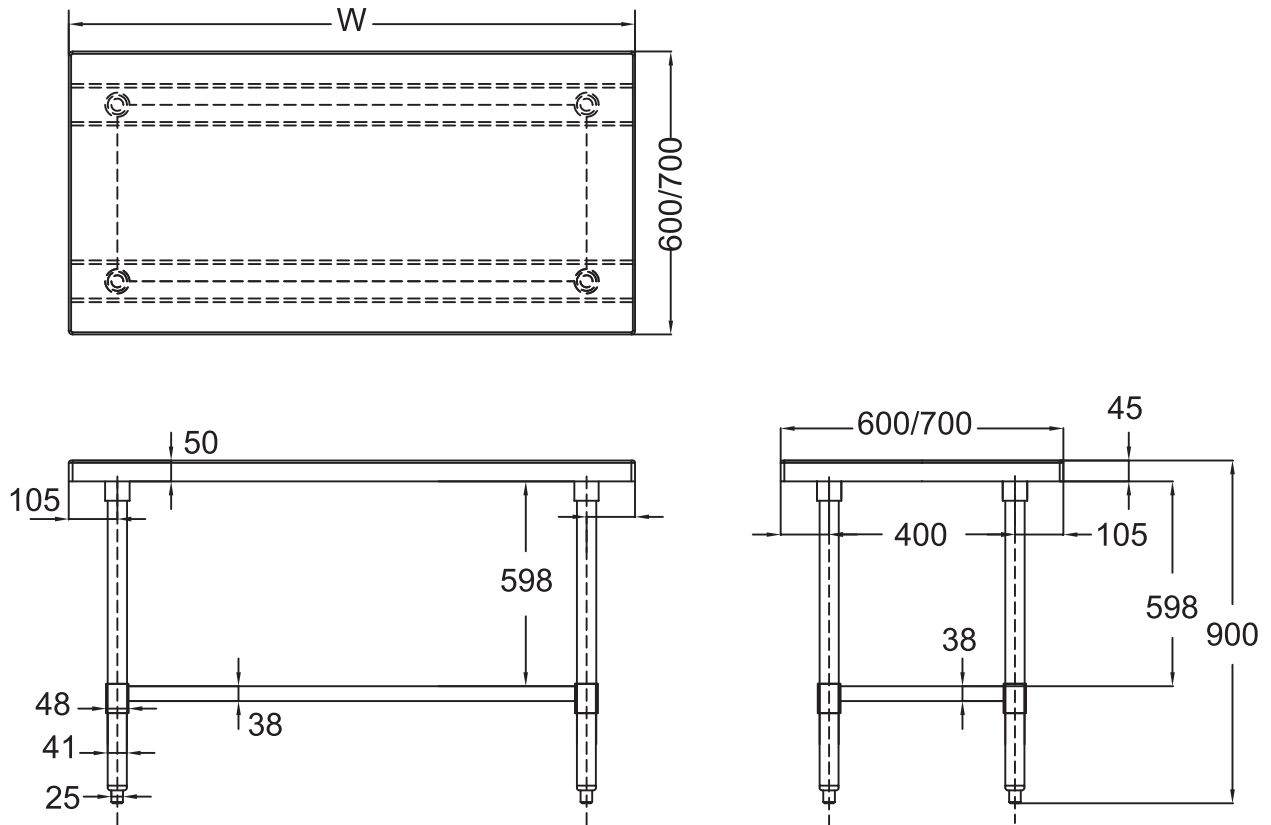
WTS706	W600 x D700 x H900	15.2	W920 x D720 x H80
WTS709	W900 x D700 x H900	17.9	W920 x D720 x H80
WTS712	W1200 x D700 x H900	25.6	W1220 x D720 x H80
WTS715	W1500 x D700 x H900	29.9	W1520 x D720 x H80
WTS718	W1800 x D700 x H900	36.5	W1820 x D720 x H80
WTS721	W2100 x D700 x H900	44.8	W2120 x D720 x H80
WTS724	W2400 x D700 x H900	49.7	W2420 x D720 x H80



Model	Dimensions (mm)	Net weight (kg)	Splashback	Packaging Dimensions (mm)
WTCS6B	W600 x D600 x H900	20	150mm	W650 x D700 x H170
WTCS7B	W700 x D700 x H900	23	150mm	W750 x D800 x H170



WTS



WTCS

