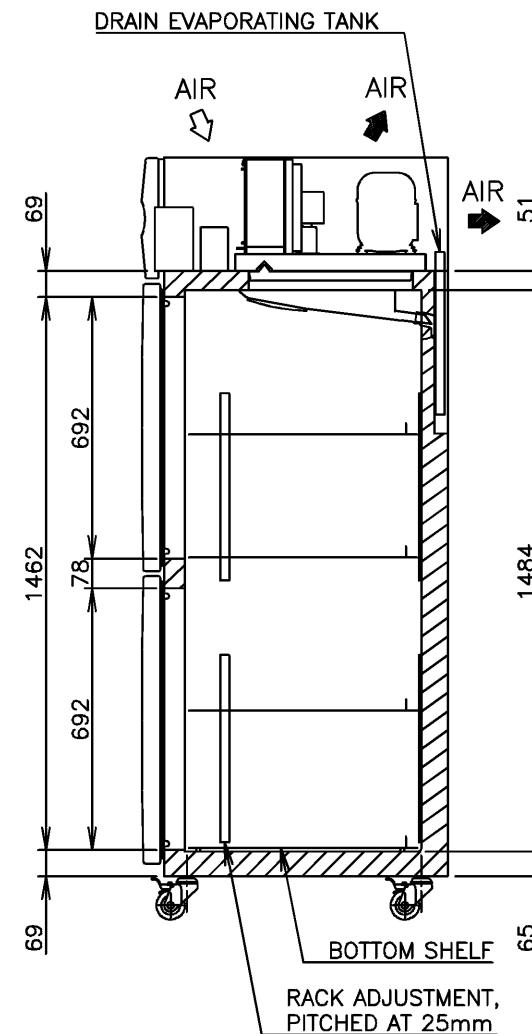
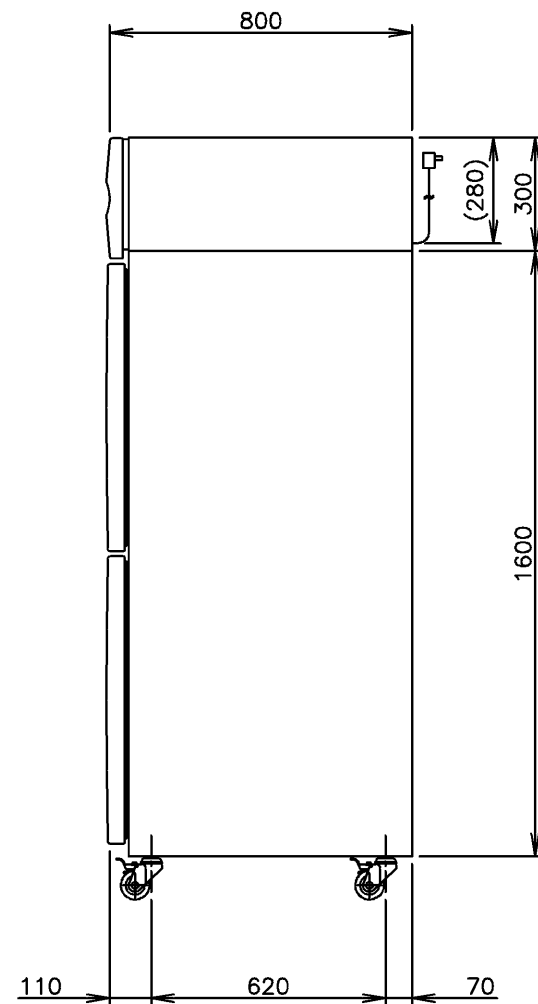
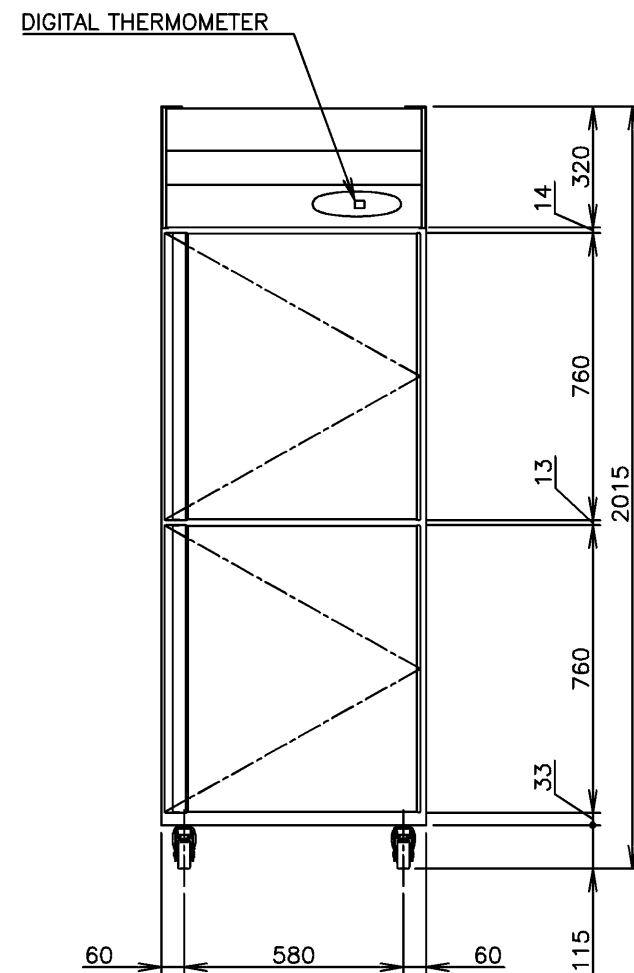


ITEM	Hoshizaki Reach-in Freezer
MODEL	HFE-77MA-AHD
POWER SUPPLY	1 Phase 220 - 240V 50Hz Capacity: 0.65kVA (3.0A)
AMPERAGE	Rated: 2.13A Starting: 10.7A
ELECTRIC CONSUMPTION	419W (Power Factor: 87%)(Except Drain Tank Heater 170W) Heater: 480W Defrost: 480W
HEAT REJECTION	670W
POWER CORD	2.3m (Plug with Earth Wire)
EFFECTIVE CAPACITY	546L
OUTSIDE DIMENSIONS	700mm(W)× 800mm(D)× 2015mm(H)
INSIDE DIMENSIONS	596mm(W)× 626mm(D)× 1484mm(H)
EXTERIOR	Precoated Steel, Galvanized Steel(Rear, Bottom) Stainless Steel(Front panel, Door)
INTERIOR	Precoated Steel, ABS Plastic(Door)
INSULATION	Polyurethane Foam
INSULATION FOAM BLOWING AGENT	Cyclopentane
REFRIGERATION SYSTEM	Forced Air Circulation
DEFROST SYSTEM	Heater
COMPRESSOR	Hermetic 480W (cooling capacity)
CONDENSER	Fin and Tube type, Air-cooled
EVAPORATOR	Fin and Tube type
REFRIGERANT	R404A/240g
TEMPERATURE CONTROL	Microprocessor (Digital Temp. Indication) Adjustable from -23 to -7°C
DEFROST CONTROL	Microprocessor
ELECTRIC CIRCUIT PROTECTION	Earth Wire, Circuit Breaker
REFRIGERANT CIRCUIT PROTECTION	Motor Protector (Auto-reset)
CASTER	Urethane (76mm DIA, 115mm HIGH)
SHELF	4 pcs.(Include Bottom Shelf)
WEIGHT	102kg (Gross 124kg)
PACKAGE	Carton (Wooden Pallet) 760mm(W)× 900mm(D)× 2075mm(H)
OPERATING CONDITIONS	Ambient Temperature: 5 - 43°C Voltage Range: Rated Voltage ±6%

*We reserve the right to make changes in specifications and design without prior notice.

1. Install the product properly in accordance with the instructions on location, water supply/ drain connections and electrical connections stated in the instruction and installation manuals provided.
Allow 10mm extra space at the installation site to meet any installation requirements (additional spacing is also required for proper air flow and pipe connections).
2. The heat rejection is based on the reached pulldown temperature at ambient temperature of 35°C.
3. The drain tank may overflow if the door is opened frequently or under highly humid conditions in the rainy or summer season.
4. Product Code: R266-C323

*CUSTOMIZED
FRONT PANEL=SUS
EXTERIOR DOOR=SUS
CASTER
DRAIN TANK



HOSHIZAKI REACH-IN FREEZER HFE-77MA-AHD (CUSTOMIZED)

APPROVED ISHIGURO	CHECKED TAKAOKA	DESIGNED KATO	DRAWN WATANABE	SCALE 1/20	TRIGONOMETRY
*	*	△	*****	DATE 2014.03.11	DRAWING NO. D14142
APPROVED	DESIGNED	SYMBOL	DATE		SYMBOL △