

## UNDER COUNTER DRAWER \_S SERIES *SUF9-3D-3*

### ≡ FEATURES / BENEFITS ≡

#### • FRONT BREATHING

Our innovative, front breathing feature also allows this model to provide high efficiency in narrow spaces

#### • HOT GAS CONDENSATE SYSTEM

Through SKIPIO's creative innovation, the condensate system surfaces have been specially treated to resist corrosion. This not only increases efficiency without the risk of refrigerant leakage from corrosion, but also prevents the overflow of condensate water.

#### • SIDE MOUNT COMPRESSOR UNIT

By positioning the compressor on the side of the unit, refrigerators can now be serviced without being moved

#### • EFFICIENT REFRIGERATION SYSTEM

SKIPIO Undercounter series refrigerators are designed with oversized and balanced (CFC Free R-134A) refrigeration systems. These include efficient evaporators and condensers for faster cooling and greater efficiency.

#### • EXTERIOR & INTERIOR OF THE CABINET

SKIPIO Undercounter series boasts a stainless steel exterior (galvanized steel back and bottom). Interior is stainless steel floor with AL sides, back and AL door liners. It guarantees the utmost in cleanliness and long product life. It can add a touch of style to the most refined setting.

#### • HIGH-DENSITY POLYURETHANE INSULATION

The entire cabinet structure and solid doors are foamed-in-place using high density, CFC free polyurethane insulation

#### • ERGONOMICALLY DESIGNED DOORS

Customers' fatigue fades away with easy grip handles and doors that open effortlessly. These features along with self-closing doors make this the ultimate choice in customer convenience

#### • MAGNETIC DOOR GASKETS

Magnetic door gaskets are of one piece construction, removable without tools for ease of cleaning and replacement.

#### • ADJUSTABLE, HEAVY DUTY, PE (POLYETHYLENE) COATED WIRE SHELVES



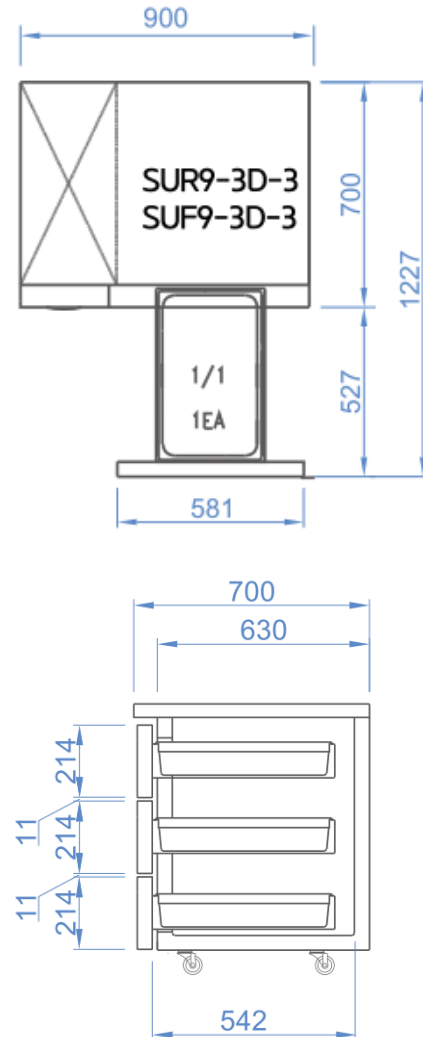
▪ **ADD :** 218 WOODPARK ROAD SMITHFIELD NSW 2164  
▪ **TEL :** 02-8798-5061 /5283 /5581  
▪ **FAX :** 02-8798-5707

## UNDER COUNTER DRAWER \_S SERIES *SUF9-3D-3*

**MODEL : *SUF9-3D-3***

**PLAN VIEW**

<b>SPEC SHEET</b>	<b>SUF9-3D-3</b>
Cabinet Dimension(W*D*Hmm)	<b>900 * 700 * 850</b>
Capacity(L)	<b>179</b>
Inner Temperature(°C)	<b>-21~-12</b>
Ambient Temperature(°C)	<b>38</b>
Refrigerant	<b>R-404a</b>
Insulation Type	<b>Polyurethane / cyclopentane + CFC Free</b>
Amps(A)	<b>3</b>
Voltage (V/Hz/PH)	<b>240 / 50 / 1</b>
Weight	<b>84</b>
Power (W)	<b>366</b>
# of doors	<b>0</b>
Compressor	<b>1/3</b>
# of Shelves	<b>0</b>
Power plug	<b>10A</b>



**WARRANTY 2 YEARS**  
PARTS & LABOUR



- **ADD :** 218 WOODPARK ROAD SMITHFIELD NSW 2164
- **TEL :** 02-8798-5061 / 5283 / 5581
- **FAX :** 02-8798-5707