

## TOP MOUNT S SERIES

*SRT25-2*

### FEATURES / BENEFITS

#### ■ HIGH-DENSITY POLYURETHANE INSULATION

The entire cabinet structure are foamed-in-place using high density, CFC free polyurethane insulation.

#### ■ HOT GAS CONDENSATE SYSTEM

Through SKIPIO's creative innovation, the condensate system surfaces have been specially treated to resist corrosion. This not only increases efficiency without the risk of refrigerant leakage from corrosion, but thoroughly prevents the overflow of condensate water.

#### ■ EFFICIENT REFRIGERATION SYSTEM

SKIPIO's refrigerators are designed with oversized and balanced (CFC Free R-134A) refrigeration systems. These include efficient evaporators and condensers for faster cooling and greater efficiency.

#### ■ EXTERIOR & INTERIOR OF CABINET CONSTRUCTION

Stainless steel exterior (galvanized steel top, bottom, and back) and stainless steel with AL inside walls and door liners. It guarantees the utmost in cleanliness and long product life. Unlike other companies' products, the sharp corners and edges have been rounded to reduce the risk of injury.

#### ■ ERGONOMICALLY DESIGNED DOORS

Customers' fatigue fades away with easy grip handles and doors that open effortlessly. These features along with self-closing doors make this the ultimate choice in customer convenience.

#### ■ DIGITAL TEMPERATURE CONTROL SYSTEM

It provides precise and constant temperature. This level of precision allows the displayed foods to remain fresh over an extended period of time.



ISO14001



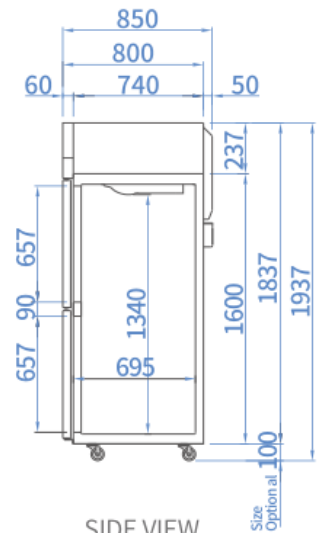
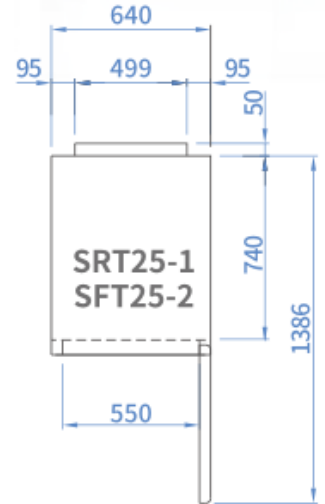
- **ADD** : 218 WOODPARK ROAD SMITHFIELD NSW 2164
- **TEL** : 02-8798-5061 /5283 /5581
- **FAX** : 02-8798-5707

## TOP MOUNT S SERIES

## SRT25-2

### MODEL : SRT25-2

### PLAN VIEW



SIDE VIEW  
(Half Door)

Size  
Optional 100

SPEC SHEET	SRT25-2
Cabinet Dimension(W*D*Hmm)	640 * 850 * 1937
Capacity(L)	572
Inner Temperature(°C)	-2~8
Ambient Temperature(°C)	40
Refrigerant	R-134a
Insulation Type	Polyurethane / cyclopentane + CFC Free
Amps(A)	2.8
Voltage (V/Hz/PH)	240 / 50 / 1
Weight	77
Power (W)	314
# of doors	2
Compressor	1/4
# of Shelves	3
Power plug	10A

**WARRANTY 2 YEARS**  
PARTS & LABOUR



- **ADD :** 218 WOODPARK ROAD SMITHFIELD NSW 2164
- **TEL :** 02-8798-5061 /5283 /5581
- **FAX :** 02-8798-5707