



PRODUCT ADVANTAGES

- **CCompact glasswasher:** with an installation height of only 705 mm. With integrated reverse osmosis the installation height is 820 mm.
- **VISIOTRONIC-TOUCH control:** single button control with colour code and remaining cycle time indication. With colour display and touch.
- **WASHSMART APP:** controlling your warewash operation with smart technology: status and messages, usage and operating cost, hygiene, order service and consumables
- **SENSO-ACTIVE resource management: constantly measures the quality of the wash water and keeps the amount of rinsing needed in each rinse cycle to a minimum in order to guarantee a fully hygienic wash result**
- **CLIP-IN wash and rinse arms:** wash and rinse arms can be removed with one hand and without any tools
- **Intelligent data documentation:** automatic recording of important operational data and consumptions and indication on the display
- **USB-interface:** comfortable download of operational data in form of a protocol via USB
- **GENIUS-X² fine filter system:** advanced filter system with pre-wash function reduces detergent consumption up to 35%
- **Intensive programme:** intensive rinse cycle to wash glasses with critical design with raised fresh-water amount
- **Interlocked strainer:** prevents operation without tank strainer
- **Optional 100% integrated Reverse Osmosis water treatment system adds 120mm to machine height - item code GXCROI-90B**
- **Optional refill signal:** monitors contents of external as well as integrated chemical containers
- **Hygiene programme:** for removal of calcium carbonate and other deposits from wash chamber

TECHNICAL DATA

Cycle times*	1. 60sec 2. 900sec 3. 120 sec 4. Continuous (20mins)
Water consumption	2.0 l/rack
Tank capacity	10.6 l
Tank heating	0.8 kW
Power supply	240 / 50 / 1 (415 / 50 / 3N)
Booster loading Standard Alternative	1.4 kW 15 A 6.2 kW 15 A (3phs)
Total loading Standard Alternative	2.9 kW 15 A 7.7 kW 15 A (3phs)
Wash pump	0.6 kW 350 l/min
Rack size	500 x 500 mm
Loading height	305 mm
Noise level	60.5 dB (A)
Weight (gross / net)	70 / 60 kg

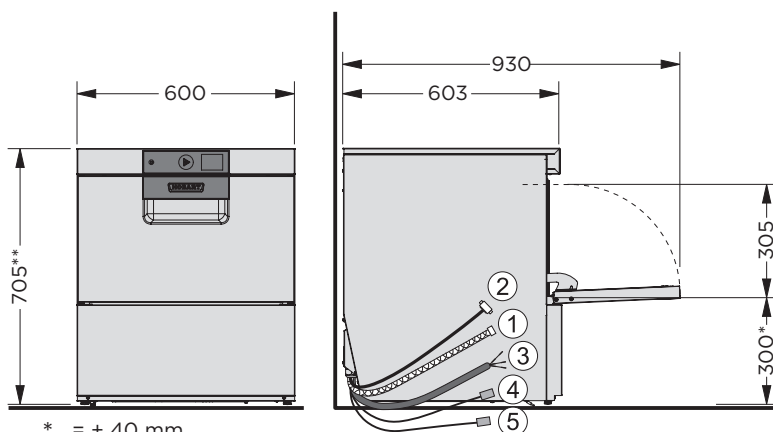
* Thermostop guarantees required temperatures with cold water and / or 240 V connection, the actual cycle times extend accordingly.

For machine protection the water hardness should not exceed 3°dH, if higher we recommend using an integrated water softener or an external water softener of the product line HYDROLINE PROTECT.

CONNECTIONS

① Drain hose	2,000 mm ID20/OD25
② Supply hose	2,000 mm R 3/4"
Required flow rate	5 l/min
Flow pressure	0.5 (0.8 with softener)- 6 bar
Max. supply water temperature	60 °C
③ Power cord	2,000 mm
Supply hose for	
④ Detergent	2,500 mm
⑤ Rinse aid	2,500 mm

DIMENSIONAL DRAWING



* = + 40 mm

** = 820 mm with integrated osmosis

