

PRODUCT ADVANTAGES

- **VISIOTRONIC control:** single button control with remaining time indicator together with text and graphic display
- **SENSO-ACTIVE resource management:** constantly measures the quality of the wash water and keeps the amount of rinsing needed in each rinse cycle to the minimum in order to guarantee a fully hygienic wash result
- **POWER wash:** high-pressure washing to wash heavily soiled wash items
- **Exhaust energy storage:** the fully enclosed 4-sided hood keeps steam and energy inside the system: energy saving up to 5 kW; less humidity in the kitchen area and better hygienic conditions
- **CLIP-IN wash and rinse arms:** wash and rinse arms can be removed with one hand and without any tools
- **USB-interface:** comfortable download of operational data in form of a protocol via USB
- **GENIUS-X² fine filter system:** advanced filter system with pre-wash function reduces detergent consumption up to 35%
- **ROTOR-X wash system:** separate rotating upper and lower 4-spoke wash arms deliver dynamic wash power
- The optional **drain heat recovery** transfers heat from hot drain water to the fresh-water supply, saving up to 8.6 kW
- **Intelligent energy management:** the available energy is used continuously. Thus, at a low total loading value the heating time gets reduced
- **Interlocked strainer:** prevents operation without tank strainer
- **EASY-CLEAN concept:** blue markings in the machine help the operator to identify the components which require cleaning
- **Hygiene programme:** for removal of calcium carbonate and other deposits from wash chamber



TECHNICAL DATA

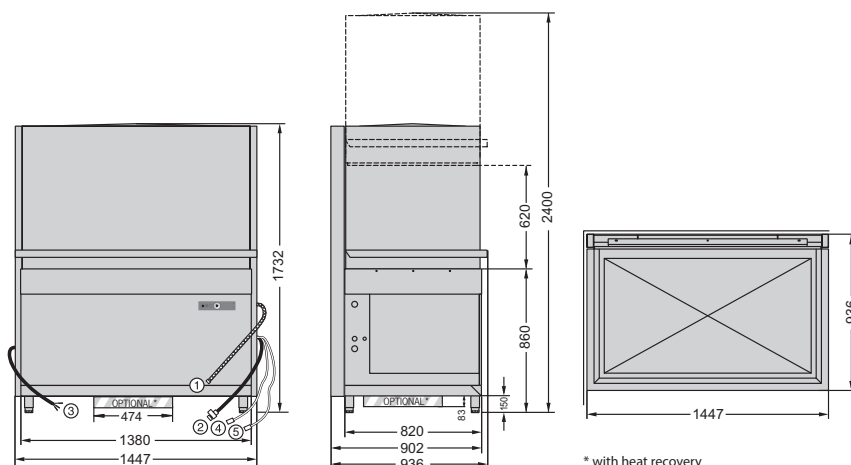
Cycle times*	120 / 240 / 360 sec. and special cycles
Water consumption	7.5 l/rack
Tank capacity	130 litres
Tank heating	6.1 kW
Power supply	415 / 50 / 3N
Booster loading	
Standard	15.3 kW
Alternative	9.1 kW
Total loading	
Standard	21.6 kW 3 x 35 A 15.6 kW 3 x 35 A
Alternative	
Wash pump	2 x 2.9 kW 2 x 1,150 l/min
Rack size	1,240 x 700 mm
Loading height	620 mm
Noise level	68 dB (A)
Weight (gross / net)	384 / 364 kg

CONNECTIONS

① Drain hose	1,800 mm ID20 / OD25
② Supply hose	2,000 mm R 3/4"
Required flow rate	5 l/min
Flow pressure	0.5 - 6 bar
Max. supply water temperature	60 °C
③ Power cord	2,000 mm
Supply hose for	
④ Detergent	2,500 mm
⑤ Rinse aid	2,500 mm

* Thermostop guarantees required temperatures with cold water connection, the actual cycle times extend accordingly. For machine protection the water hardness should not exceed 3°dH, if higher we recommend using an integrated water softener or an external water softener of the product line HYDROLINE PROTECT.

DIMENSIONAL DRAWING



* with heat recovery