



PRODUCT ADVANTAGES

- Protects machine against limescale - extends maintenance intervals and service life
- Optimises the effectiveness of detergents
- The system is automatically regenerated while in normal operation - supplying soft water 24 hours a day
- No disruption for regeneration thanks to double-chamber system
- Operates with cold or warm water up to 65°C
- Compact dimensions, including rollers for flexible installation
- Does not require electrical supply

TECHNICAL DATA

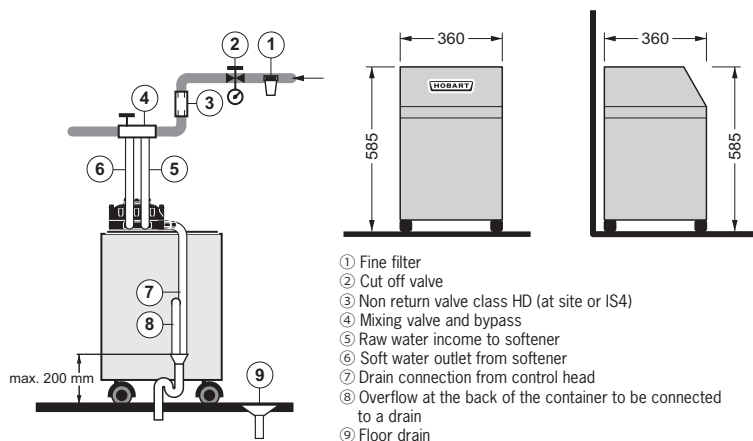
Weight (gross / net)	21 / 19 kg
Maximum hardness	30 °dH*
Capacity salt container	20 kg
Salt consumption per regeneration	0.5 kg
Supply capacity	
Continuously	20 l/min
Maximum	25 l/min

* The water treatment system must be connected to the drinking water supply system by means of a backflow preventer. Depending on local water quality, it might be advisable to install an upstream fine filter. An overflow hose for the tank can be installed on-site.

CONNECTIONS

Raw water connection	R 3/4"
Pure water outlet	R 3/4"
Flow pressure	3 - 7 bar
Max. supply water temperature	65 °C

DIMENSIONAL DRAWING



- ① Fine filter
- ② Cut off valve
- ③ Non return valve class HD (at site or IS4)
- ④ Mixing valve and bypass
- ⑤ Raw water income to softener
- ⑥ Soft water outlet from softener
- ⑦ Drain connection from control head
- ⑧ Overflow at the back of the container to be connected to a drain
- ⑨ Floor drain