



VERRO SERIES: VYJSF- 1HE

Single Hole Heat Exchange Steamer

Project: _____ Item: _____



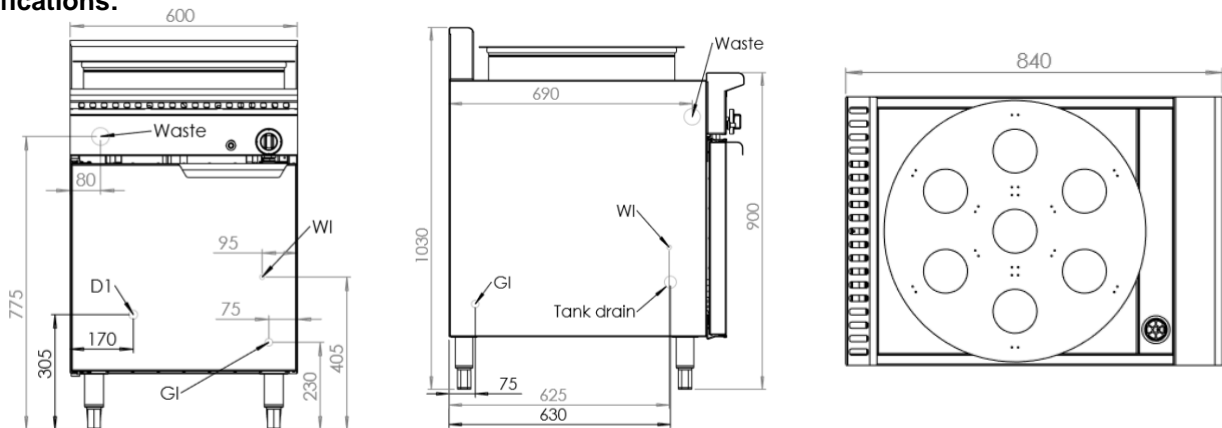
Standard Features:

- AISI 304 grade stainless steel
- Heavy duty complete stainless-steel cabinet frame
- Complete perforated steaming plate
- 2mm thick AISI 304 grade tank
- Overheat tank protection device fitted
- Insulated heat exchange chamber
- tank auto refill
- 88MJ duck burner
- Tank drain valve
- Multi-setting gas valve as standard allowing for greater regulation on flame setting
- Piezo ignition and flame failure device are fitted as standard
- Easy access to all components for servicing and adjustment
- 37 Litre water capacity
- 24 Month warranty
- Energy efficient omnidirectional conically perforated steam vent

Options:

- Castors
- Plinth mounted
- Natural or LP gas

Specifications:



MODEL	LENGTH (mm)	DEPTH (mm)	HEIGHT (mm)	GAS CONSUMPTION (Mj/h)	
				NG	LPG
VYJSF-1HE	600	840	1030	88	85

Connections:

GAS (GI) (BSP)	WATER (WI)	WASTE (W) (BSP)	SUPPLY PRESSURE (kPa)	
			NG	LPG
3/4" (M)	1/2" (Copper)	D1= 1 1/2" (M) D2= 3/4" (F)	1.0	2.6

- Regulator is included in the unit
- **Must** be installed by an authorised installer

Due to ongoing Product Development, Product Improvement and Research, B+S Commercial Kitchens reserves the right to alter specification without notice.



B+S Commercial Kitchens
57 Plateau Road Reservoir VIC 3073 Australia | +61 3 9469 4754
info@bscommercialkitchens.com | www.bscommercialkitchens.com

