



VERRO SERIES: VUFWW-2 HS

Two Hole Waterless Wok Table High Splashback

Project: _____ Item: _____



VUFWW-2 HS

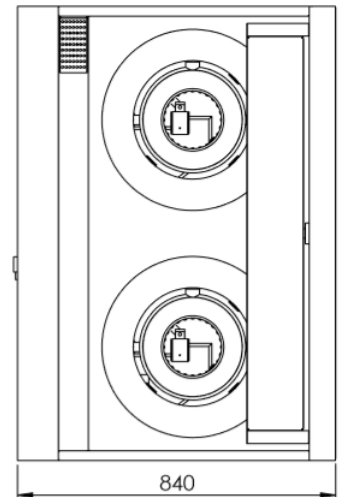
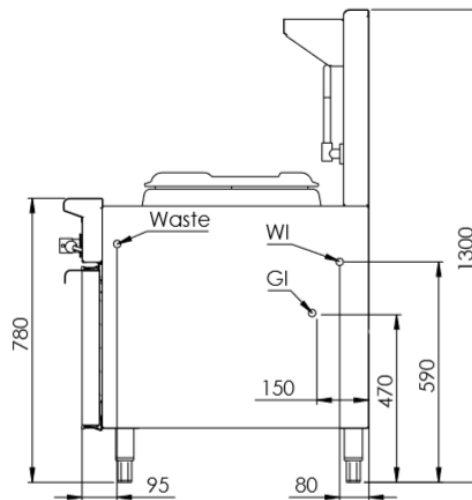
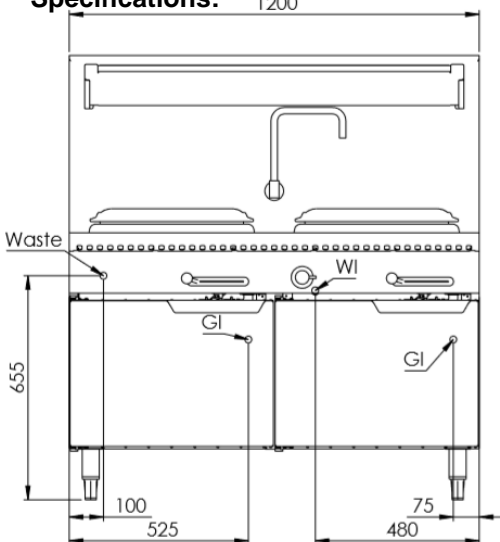
Standard Features:

- AISI 304 grade stainless steel
- Heavy duty complete stainless-steel cabinet frame
- No deck cooling required
- 1.5mm pressed wok top
- Heavy duty lever action gas control
- Front waste gutter
- Australian made heavy duty tapware
- 340 dia. heavy duty long skirt cast iron ring
- Easy access to all components for servicing and adjustment
- 24 Month warranty

Options:

- Castors
- Plinth mounted
- 18 jet Duck Burner (DB)
- 24 jet Chimney Burner (CB)
- Natural or LP Gas

Specifications:



MODEL	LENGTH (mm)	DEPTH (mm)	HEIGHT (mm)	GAS CONSUMPTION (Mj/h)			
				NG - CB	NG - DB	LPG - CB	LPG - DB
VUFWW-2 HS	1200	840	1300	210	220	150	180

Connections:

GAS (GI) (BSP)	WATER (WI)	WASTE (W) (BSP)	SUPPLY PRESSURE (kPa)	
			NG	LPG
3/4" (M)	1/2" (Copper)	1 1/2" (M)	1.0	2.6

- Regulator is included in the unit
- Unit must be connected by **two** gas lines
- **Must** be installed by an authorised installer

Due to ongoing Product Development, Product Improvement and Research, B+S Commercial Kitchens reserves the right to alter specification without notice.



B+S Commercial Kitchens
 57 Plateau Road Reservoir VIC 3073 Australia | +61 3 9469 4754
 info@bscommercialkitchens.com | www.bscommercialkitchens.com

