



B+S BLACK SERIES: CGR-3

Char Grill 300mm

Project: _____ Item: _____



CGR-3

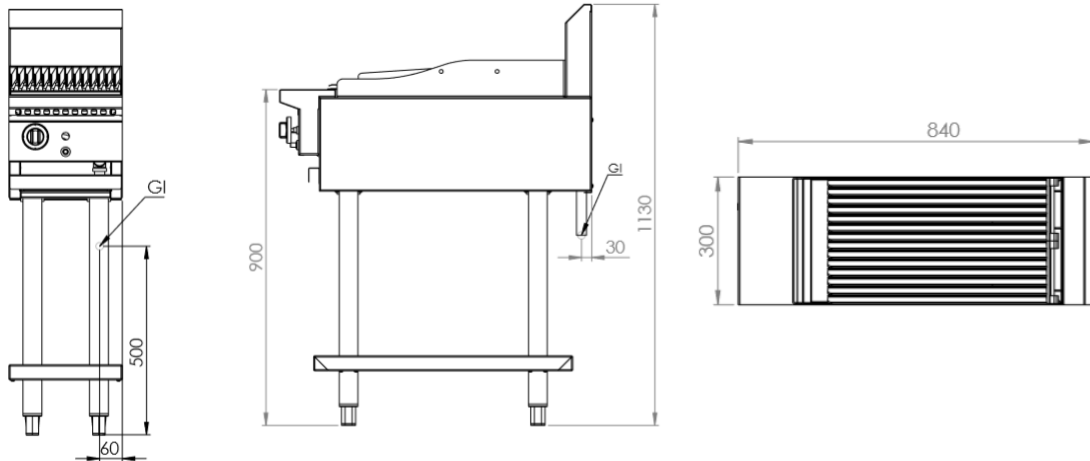
Standard Features:

- AISI 304 grade stainless steel
- Heavy duty cast iron cooking J grates and volcanic rocks
- 26Mj per burner
- Piezo ignition and flame failure device
- Multi-setting gas valve as standard allowing for greater regulation of flame setting
- Open stand with under shelf
- Easy to clean fat spillage tray
- Front access to all components make service easy
- Heavy duty stainless steel frame construction
- 18 month warranty

Options:

- Natural or LP gas

Specifications:



| MODEL | LENGTH (mm) | DEPTH (mm) | HEIGHT (mm) | GAS CONSUMPTION (Mj/h) | |
|-------|-------------|------------|-------------|------------------------|-----|
| | | | | NG | LPG |
| CGR-3 | 300 | 840 | 1130 | 26 | 29 |

Connections:

| GAS (GI) (BSP) | SUPPLY PRESSURE (kPa) | |
|----------------|-----------------------|-----|
| | NG | LPG |
| 3/4" (M) | 1.0 | 2.6 |

- Regulator is included in the unit
- **Must** be installed by an authorised installer

Due to ongoing Product Development, Product Improvement and Research, B+S Commercial Kitchens reserves the right to alter specification without notice.



B+S Commercial Kitchens
57 Plateau Road Reservoir VIC 3073 Australia | +61 3 9469 4754
info@bscommercialkitchens.com | www.bscommercialkitchens.com

