



# B+S BLACK SERIES: CFPSF-1HE

## Single Hole Waterless Heat Exchange Steamer with Cheung Fun insert

Project: \_\_\_\_\_ Item: \_\_\_\_\_



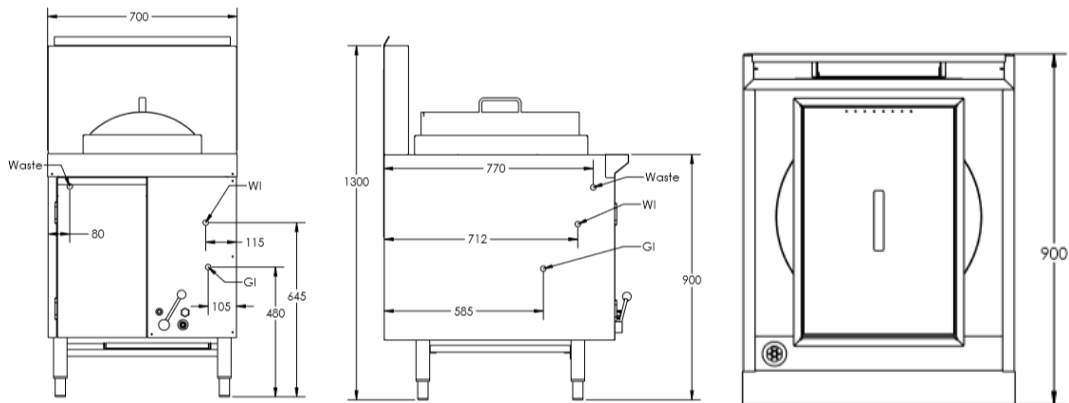
### Standard Features:

- AISI 304 grade stainless steel
- Stronger supply of steam than conventional yum cha steamers
- Water consumption reduced by up to 100 litres per hour
- 2mm stainless steel tank
- Cabinet mounted stainless steel exterior & interior
- Lever handle gas control
- Overheat safety device to prevent tank dry-boil
- Piezo ignition and flame failure as standard
- More efficient and lower gas consumption than traditional yum cha steamers
- Water comes to boil in less than 20 minutes from ambient temperature of 20 degrees Celsius
- Cheung fun insert included
- Duck bill jet burner
- 38.5-litre water capacity
- 18-month warranty
- Energy efficient omnidirectional conically perforated steam vent

### Options:

- Natural or LP Gas

### Specifications:



MODEL	LENGTH (mm)	DEPTH (mm)	HEIGHT (mm)	GAS CONSUMPTION (Mj/h)	
				NG	LPG
CFPSF-1HE	700	900	1300	88	85

### Connections:

GAS (GI) (BSP)	WATER (WI)	WASTE (W) (BSP)	SUPPLY PRESSURE (kPa)	
			NG	LPG
3/4" (M)	1/2" (Copper)	D1= 1 1/2" (M) D2= 3/4" (F)	1.0	2.6

- Regulator is included in the unit
- **Must** be installed by an authorised installer

**Due to ongoing Product Development, Product Improvement and Research, B+S Commercial Kitchens reserves the right to alter specification without notice.**

