



B+S BLACK SERIES: CCF-HP1

Single Hole Hi Pac Wok

Project: _____ Item: _____



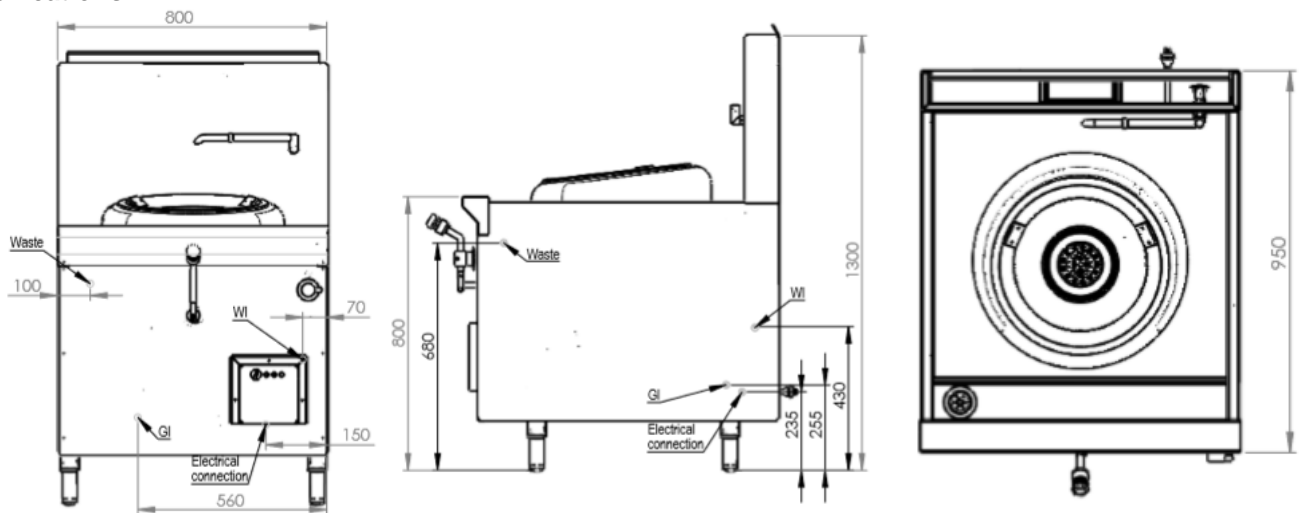
Standard Features:

- AISI 304 grade stainless steel
- Powered by a powerful and efficient 165Mj air forced burner
- Flame failure safety device and auto ignition function
- Working status indicator
- Ceramic lined wok chamber
- Water tap handles located at the front of the appliance
- Lever handle gas controls
- Solid stainless-steel frame construction throughout
- No deck cooling required
- 18-month warranty

Options:

- Low splash back
- Plinth model
- Natural Gas (NG) only

Specifications:



MODEL	LENGTH (mm)	DEPTH (mm)	HEIGHT (mm)	GAS CONSUMPTION (Mj/h)	
				NG	LPG
CCF-HP1	800	950	1300	165	-

Connections:

GAS (GI) (BSP)	WATER (WI)	WASTE (W) (BSP)	ELECTRICITY (E)	SUPPLY PRESSURE (kPa)
				NG
¾" (M)	½" (Copper)	2" BSP	240V 10 amp, 100W Fan	0.6

- Regulator is included in the unit
- **Must** be installed by an authorised installer

Due to ongoing Product Development, Product Improvement and Research, B+S Commercial Kitchens reserves the right to alter specification without notice.



B+S Commercial Kitchens
57 Plateau Road Reservoir VIC 3073 Australia | +61 3 9469 4754
info@bscommercialkitchens.com | www.bscommercialkitchens.com

